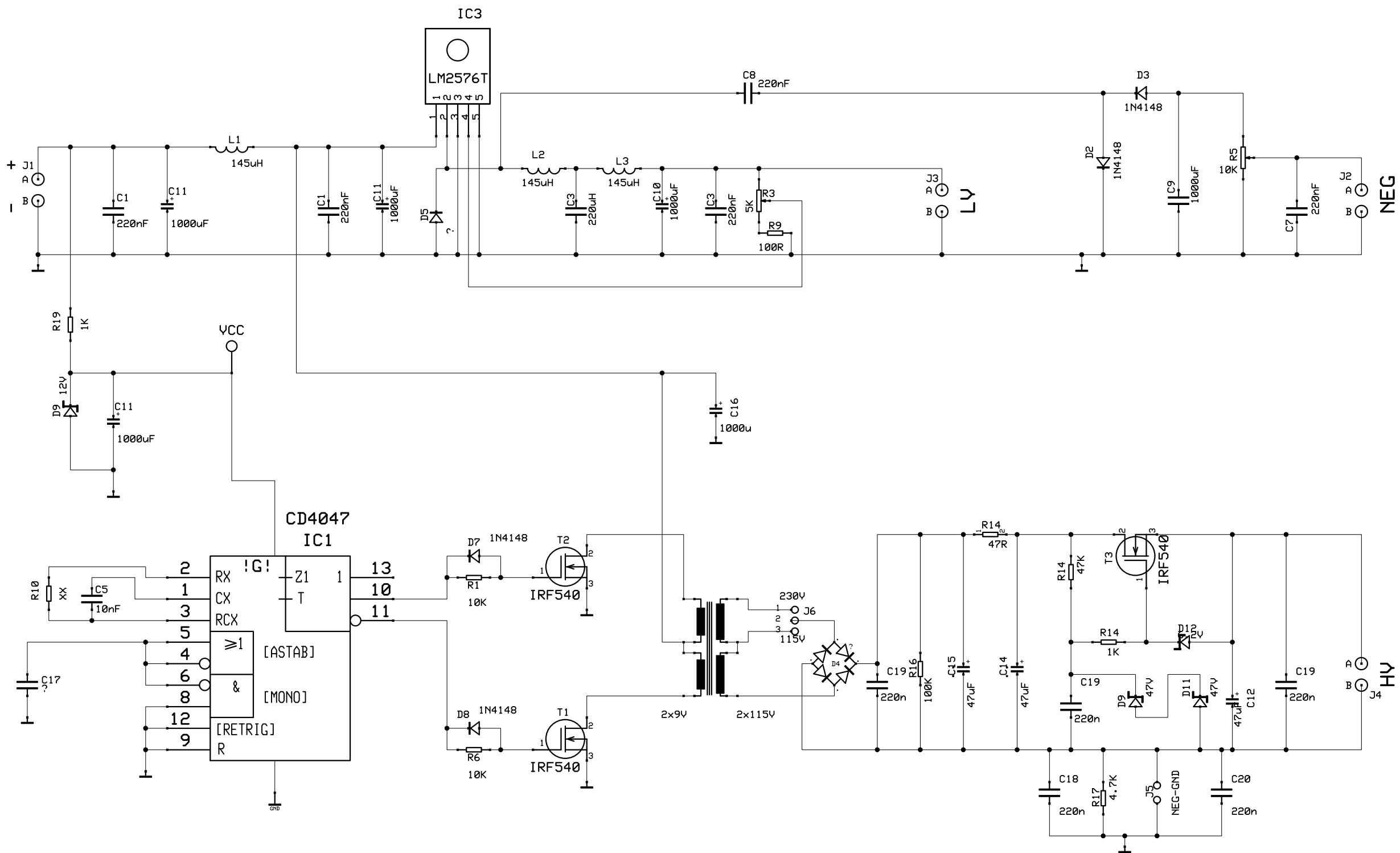


12V INPUT



Page Name TOP	Page number 1	Total pages 1
Project file name Pow2	Design rev.	
Drawn by Helge Fykse	Last edited (mm/dd/yy) 22.02.2022	

THIS DOCUMENT IS THE PROPERTY OF:

Laud Electronic Design AS

ALL RIGHTS RESERVED

NO COPYING ALLOWED
WITHOUT PERMISSION