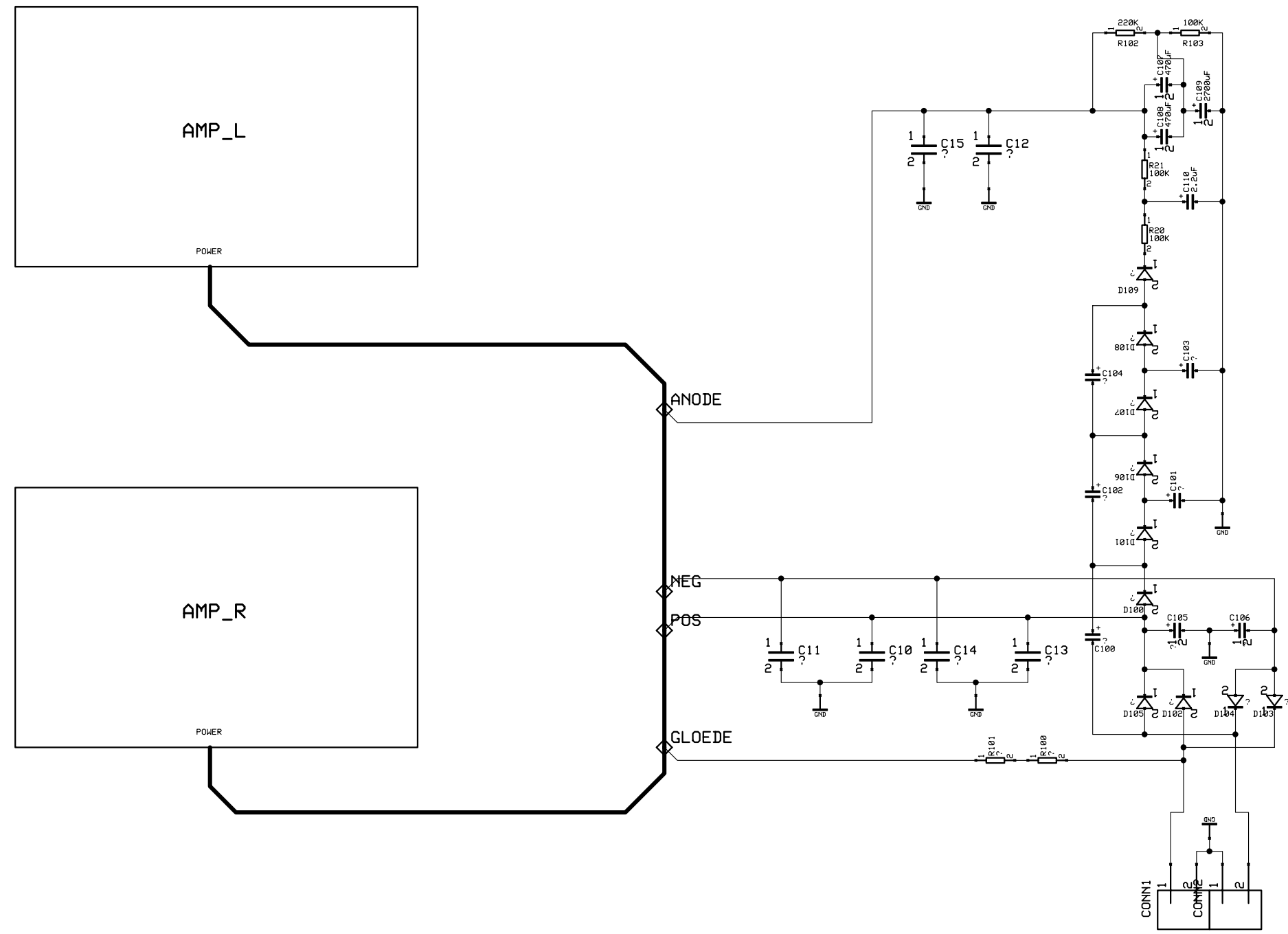


5 10 15 20 25 30 35

A
B
C
D
E



Page Name TOP	Page number 1	Total pages 3
Project file name PCL84	Design rev.	
Drawn by Helge Fykse	Last edited (mm/dd/yy) 12/17/10	
THIS DOCUMENT IS THE PROPERTY OF: Laud Electronic Design AS		ALL RIGHTS RESERVED NO COPYING ALLOWED WITHOUT PERMISSION

5 10 15 20 25 30 35

5

10

15

20

25

30

35

A

B

C

D

E

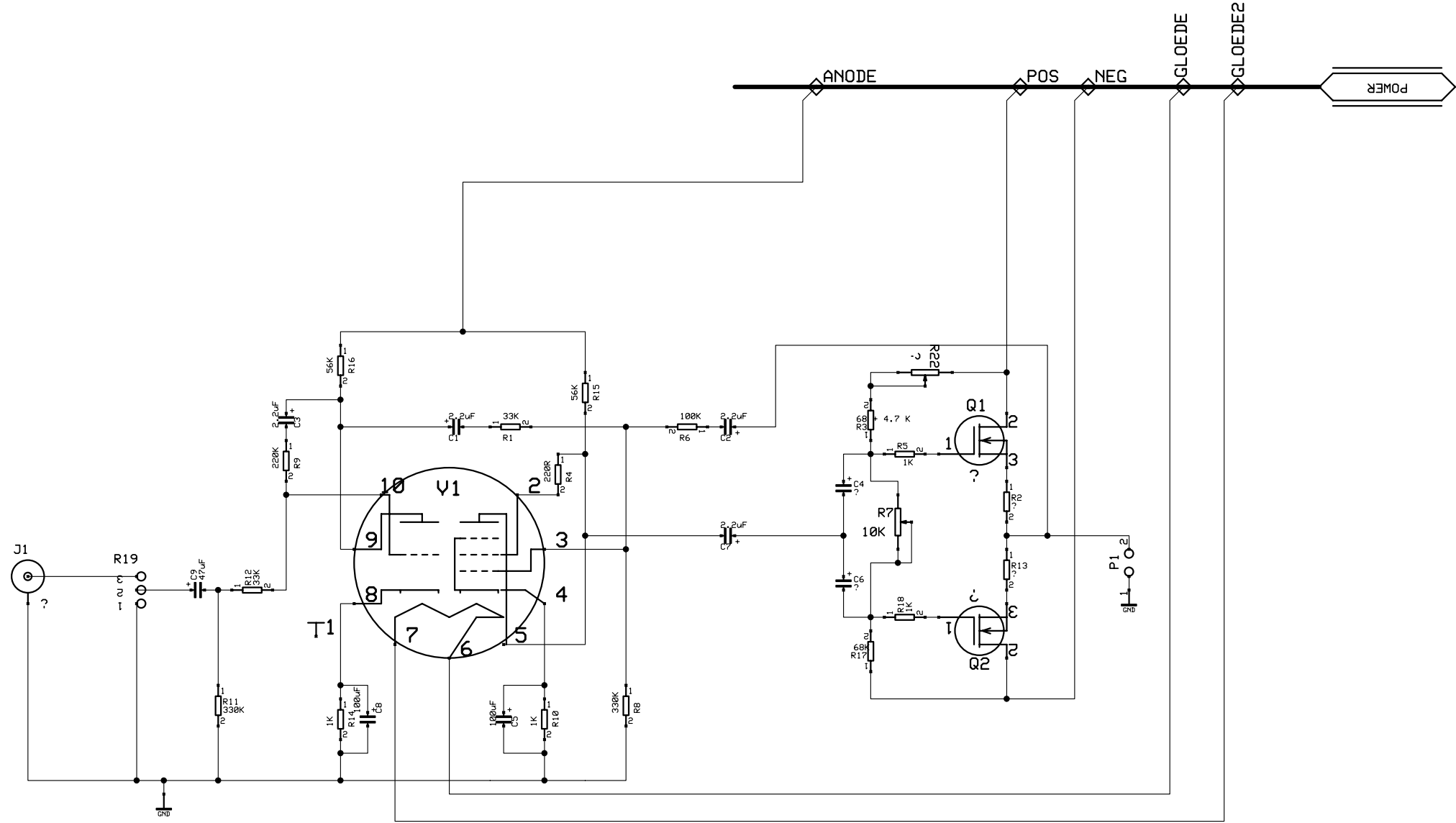
A

B

C

D

E



Page Name AMP_L	Page number 2	Total pages 3
Project file name PCL84	Design rev.	
Drawn by Helge Fykse	Last edited (mm/dd/yy) 12/17/10	
THIS DOCUMENT IS THE PROPERTY OF: Laud Electronic Design AS		ALL RIGHTS RESERVED NO COPYING ALLOWED WITHOUT PERMISSION

5

10

15

20

25

30

35

5

10

15

20

25

30

35

A

B

C

D

E

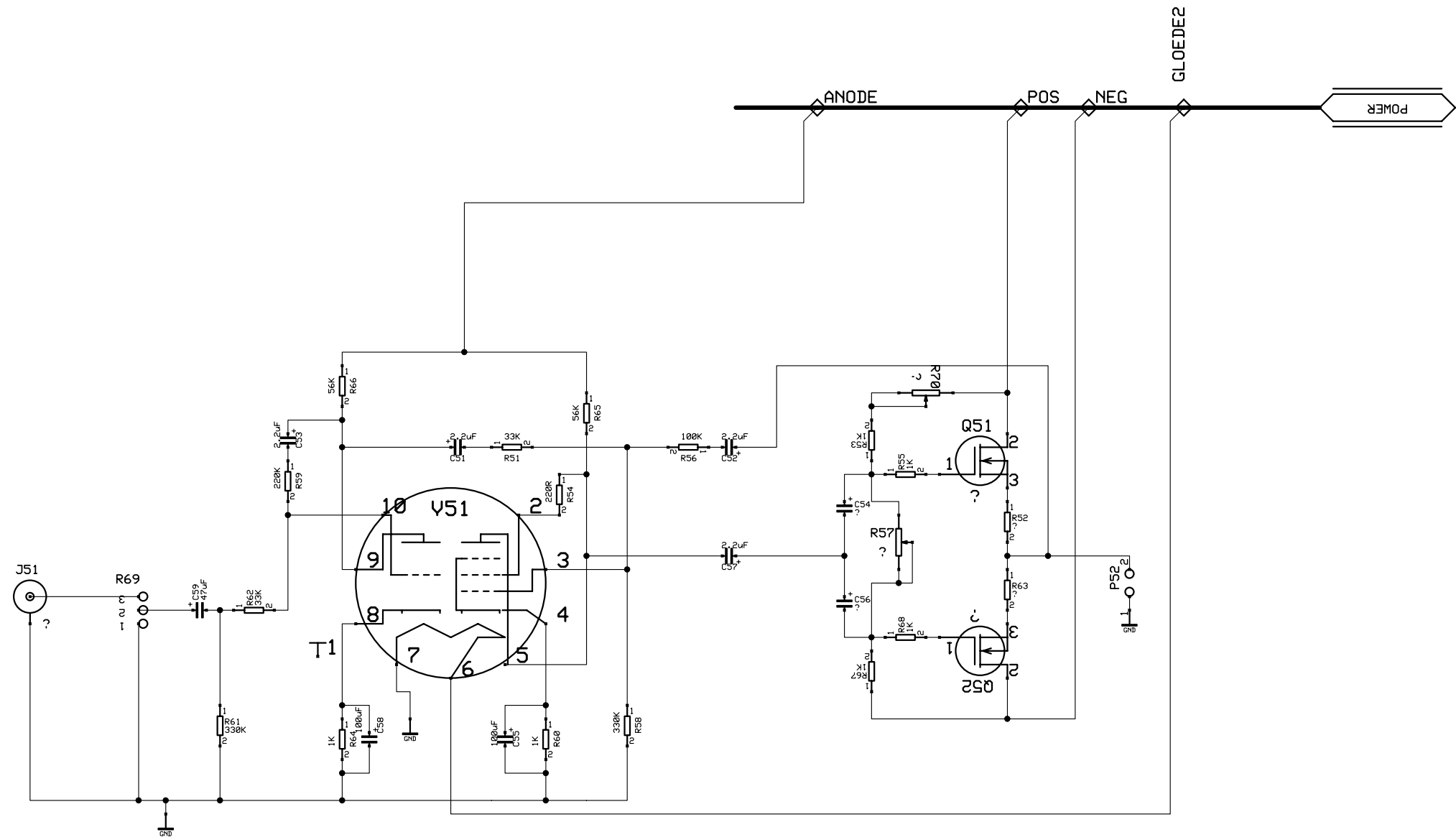
A

B

C

D

E



Page Name AMP_R	Page number 3	Total pages 3
Project file name PCL84	Design rev.	
Drawn by Helge Fykse	Last edited (mm/dd/yy) 12/17/10	
THIS DOCUMENT IS THE PROPERTY OF: Laud Electronic Design AS		ALL RIGHTS RESERVED NO COPYING ALLOWED WITHOUT PERMISSION

5

10

15

20

25

30

35